



# MODEL T26903

## 52½" 14-DRAWER TOOL CABINET

### INSTRUCTIONS

For questions or help with this product contact Tech Support at (570) 546-9663 or techsupport@grizzly.com

#### Introduction

The Model T26903 14-Drawer Tool Cabinet requires some assembly. Follow instructions below for assembly, operation, and maintenance.



Figure 1. Model T26903.

#### **! WARNING**

- To reduce risk of crushing injuries from tool cabinet tipping over on you:
  - Do not stand on cabinet or in drawers.
  - Push cabinet only. Do not pull it.
  - Only open one drawer at a time.
  - Only move or transport cabinet with all drawers closed and locked.
- Do not exceed weight capacities:
  - Max individual drawer weight limit is 50 lbs.
  - Max tool cabinet weight limit (including contents) is 1000 lbs.
- To prevent accidental rolling, always lock brakes after moving cabinet.
- Do not allow children to have unsupervised access to cabinet.

#### Inventory

#### Qty

- Tool Cabinet with Drawers..... 1
- Handle ..... 1
- Hex Bolts M8-1.25 x 25 ..... 28
- Flat Washers 8mm ..... 24
- Lock Washers 8mm..... 24
- Fixed Casters ..... 2
- Swivel Casters ..... 2
- Swivel Casters with Brakes ..... 2
- Keys..... 2

#### Assembly

1. Attach handle on preferred side of tool cabinet using four M8-1.25 x 25 hex bolts (see Figure 2). **Do not over-tighten!**

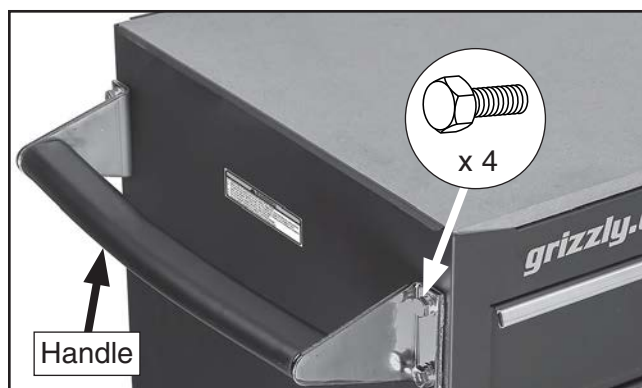


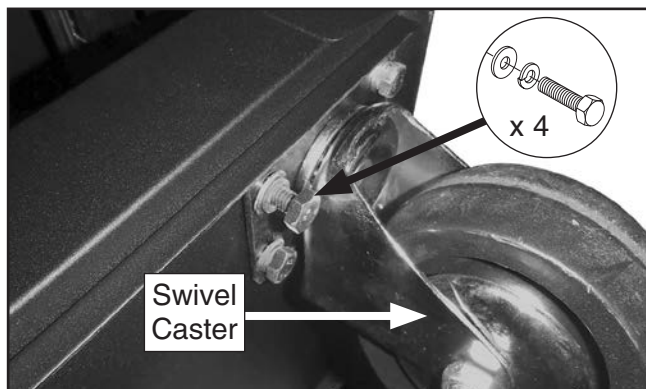
Figure 2. Handle installed.

2. Remove casters and hardware from bottom drawer.
3. Remove bottom drawer (refer to **Operation** for instructions).
4. Place unit on its top or side.

**Tip:** Use packaging material to protect paint finish.

5. Attach each caster using four M8-1.25 x 25 hex bolts, 8mm lock washers, and 8mm flat washers (see **Figure 3**).

Be sure swivel casters with brakes are mounted on same side as handle, and fixed casters are mounted in middle of unit, parallel with long sides of cabinet.



**Figure 3.** Caster installed.

6. Return tool cabinet to upright position.

## Locking Drawers

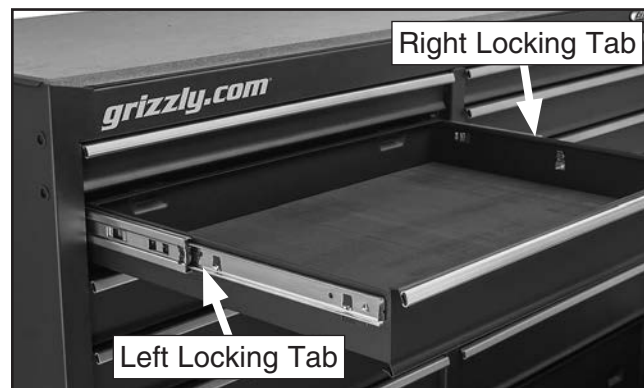
Use the included key to lock the drawers. Only completely closed drawers will lock.

## Removing & Installing Drawers

The drawers can be removed and re-installed if an object inside causes them not to fully close.

### To remove and install drawers:

1. Fully extend drawer and remove contents.
2. Push left locking tab down and hold, then pull right locking tab up and hold (see **Figure 4**).



**Figure 4.** Location of drawer locking tabs.

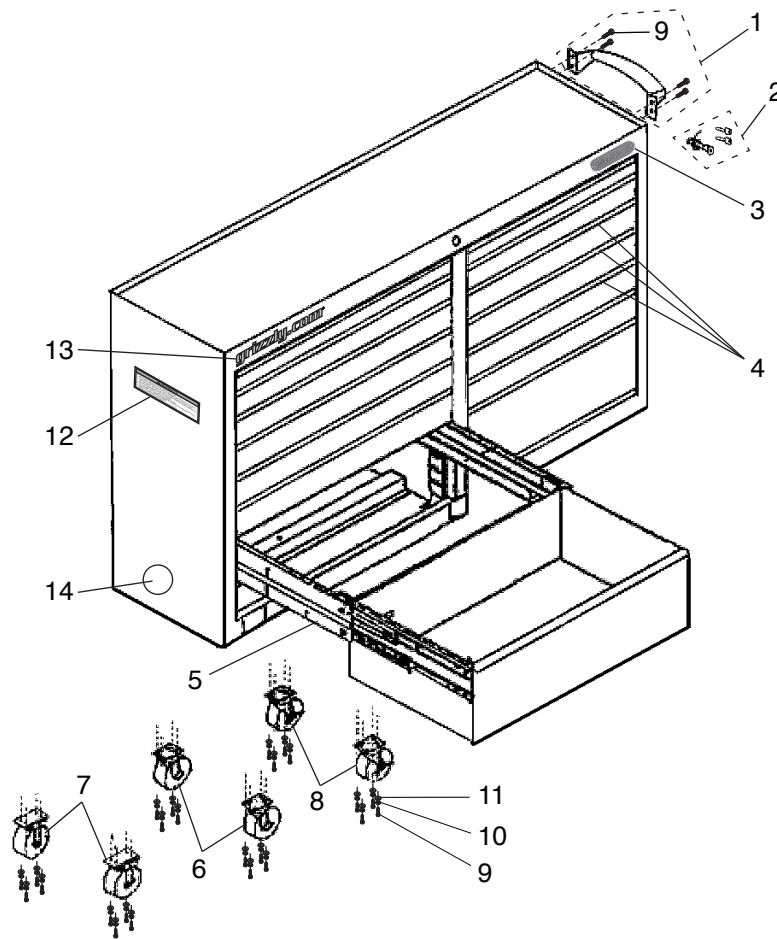
3. Pull drawer out to remove.
4. To re-install, insert drawer runners into slides and push drawer in until it stops. The locking tabs will automatically snap into place to secure the drawer in the slides.

## Maintenance

- Use soft, clean cloth, and standard cleaning solution to remove grease, dirt, or oil. Do not use solvents or flammable cleaning liquids.
- Lubricate drawer slides as needed with dry lubricant.
- Use graphite to lubricate lock annually.



# T26903 Parts Breakdown and List



REF	PART #	DESCRIPTION
1	PT26903001	HANDLE SET W/HARDWARE
2	PT26903002	LOCK SET W/2 KEYS
3	PT26903003	GRIZZLY NAMEPLATE-MINI
4	PT26903004	DRAWER TRIM 23-5/8"
5	PT26903005	DRAWER SLIDE SET
6	PT26903006	FIXED CASTER SET
7	PT26903007	SWIVEL CASTER SET
8	PT26903008	SWIVEL CASTER SET WITH BRAKE
9	PT26903009	HEX BOLT M8-1.25 X 25
10	PT26903010	LOCK WASHER 8MM
11	PT26903011	FLAT WASHER 8MM
12	PT26903012	WARNING LABEL FOR TOOLBOXES
13	PT26903013	GRIZZLY.COM GOLD LOGO
14	PT26903014	BLACK TOUCH-UP PAINT

**Please Note:** We do our best to stock replacement parts whenever possible, but we cannot guarantee that all parts shown here are available for purchase. Call (800) 523-4777 or visit our online parts store at [www.grizzly.com](http://www.grizzly.com) to check for availability.



# *grizzly.com*<sup>®</sup>

**TOOL WEBSITE**

Buy Direct and Save with Grizzly<sup>®</sup> – Trusted, Proven and a Great Value!  
~Since 1983~

*Visit Our Website Today For  
Current Specials!*

**ORDER  
24 HOURS A DAY!  
1-800-523-4777**

